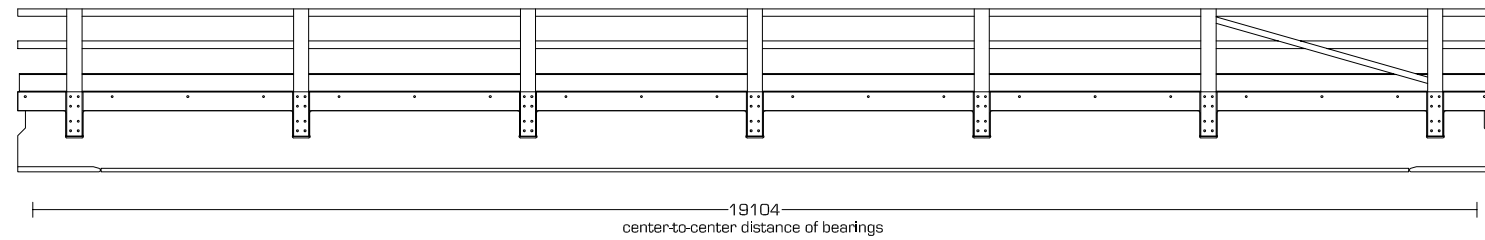


Janson Plate Girder Bridges JSB 300 series

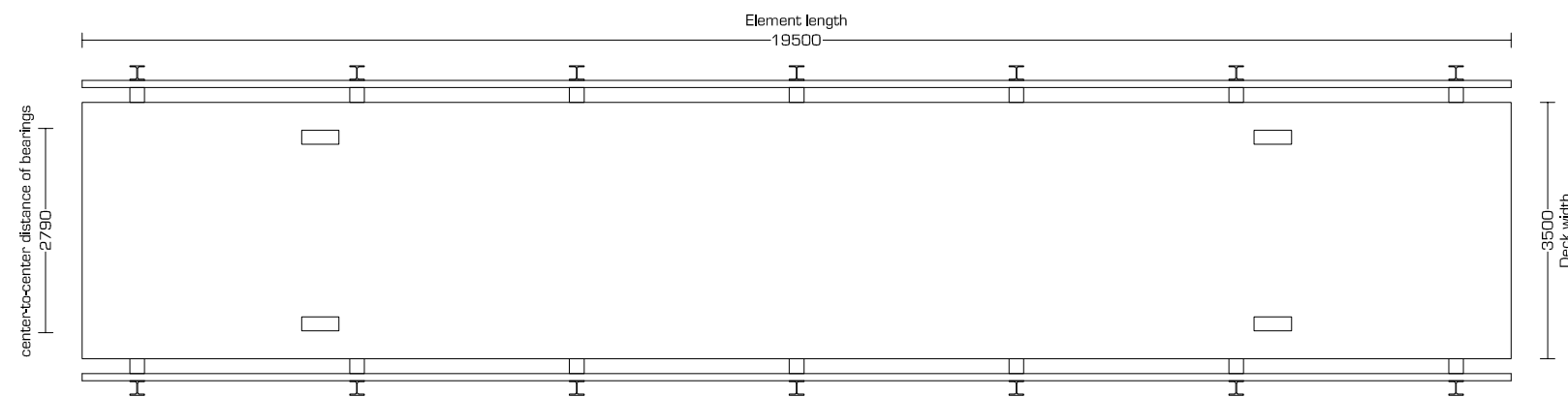


Side view **JSB 300 series - 19,50m** Free span

[1-100]

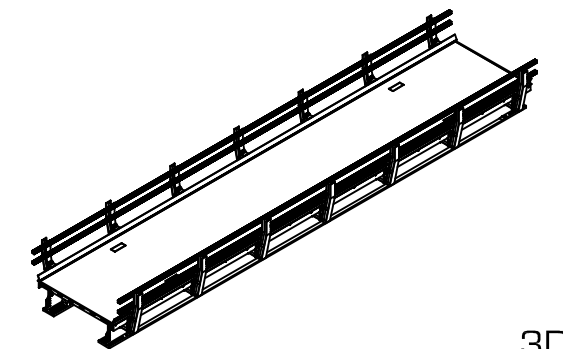


Example

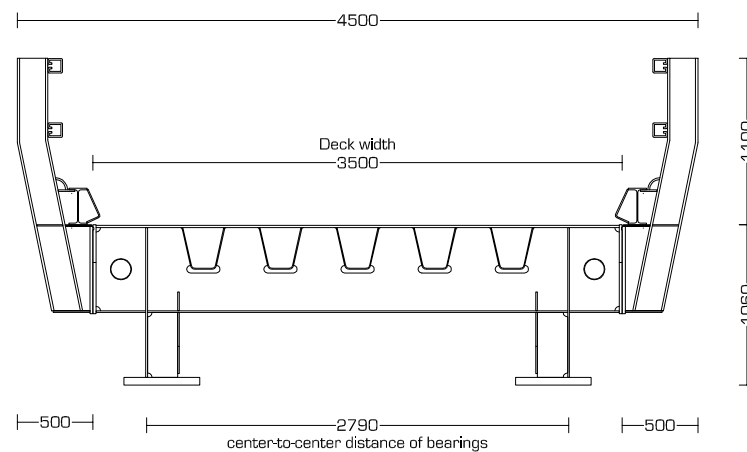


Top view **JSB 300 series - 3,50m** Deck width

[1-100]




3D



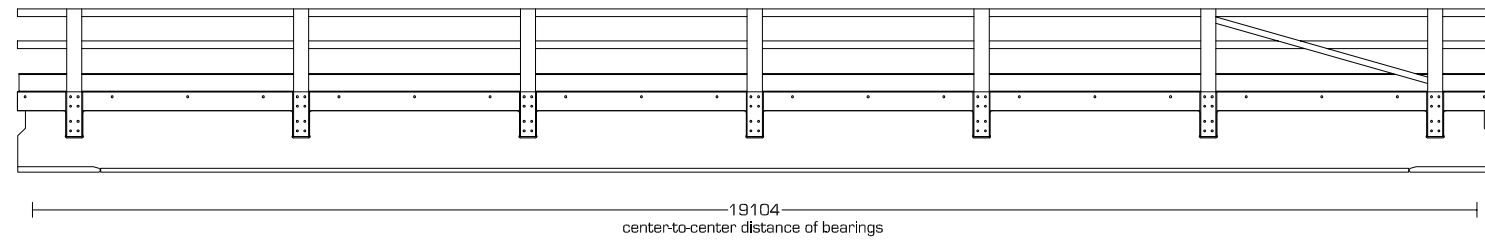
Cross view **JSB 300 series - 1,06m** Construction height

[1-50]

- Element length: 19.500 mm
- Deck width: 3.500 mm
- Construction height: 1.060 mm
- Dead load: 33,9 t
- Load class: EuroCode
- Deck surface: Epoxy resin embedded with aggregate

EXAMPLE DRAWING			
		JANSONBRIDGING <small>COME ACROSS</small>	
www.jansonbridging.com			
JSB 300 series - 19,50m x 3,50m			
Scale	1-100 1-50	Date	2011-09-15
Author		Checked	sc

Janson Plate Girder Bridges JSB 300 series

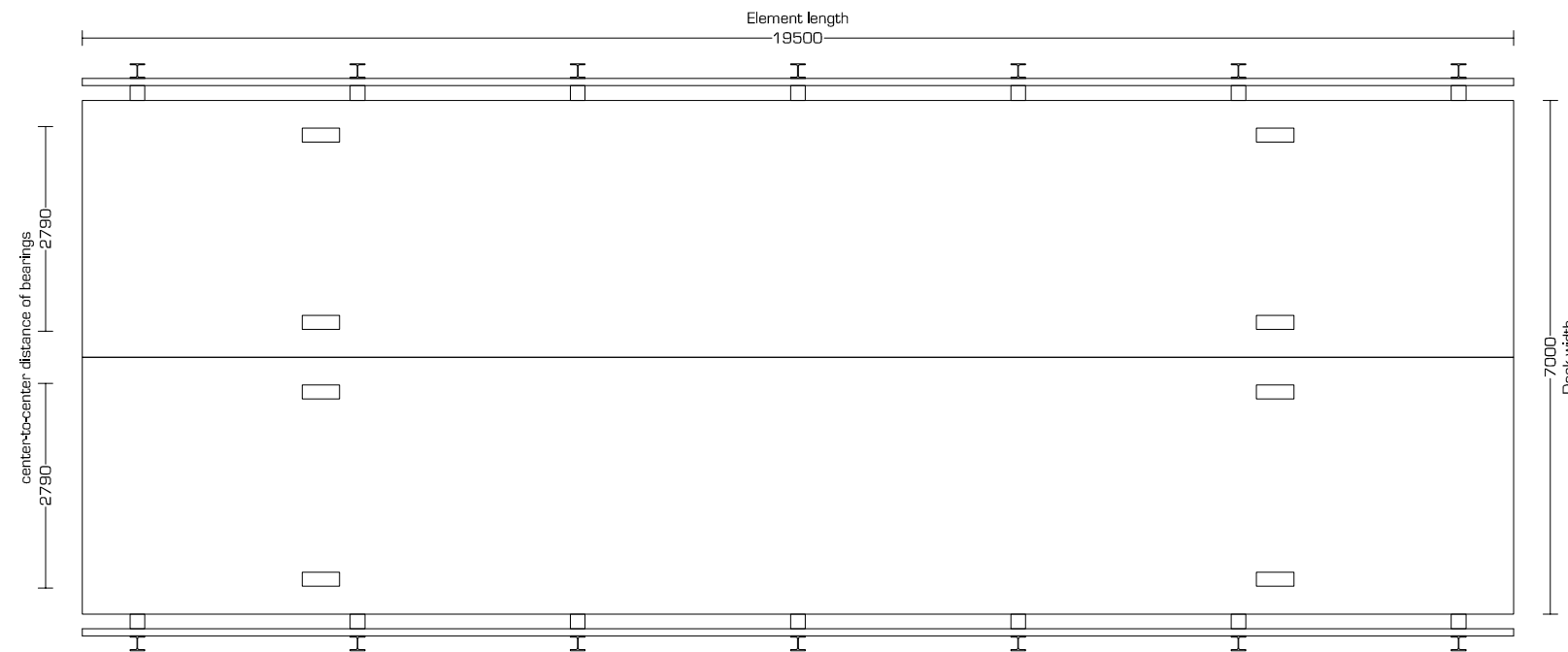


Side view **JSB 300 series - 19,50m** Free span

[1-100]

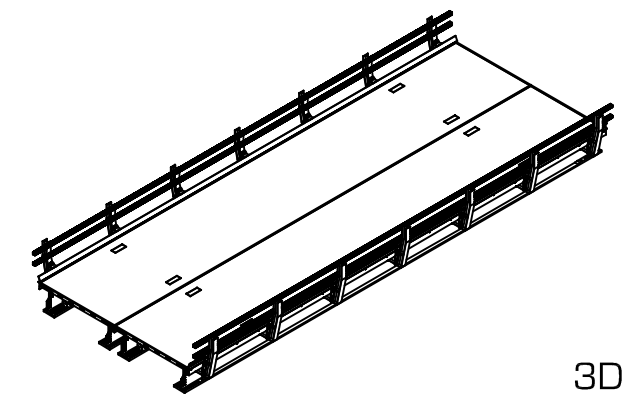


Example

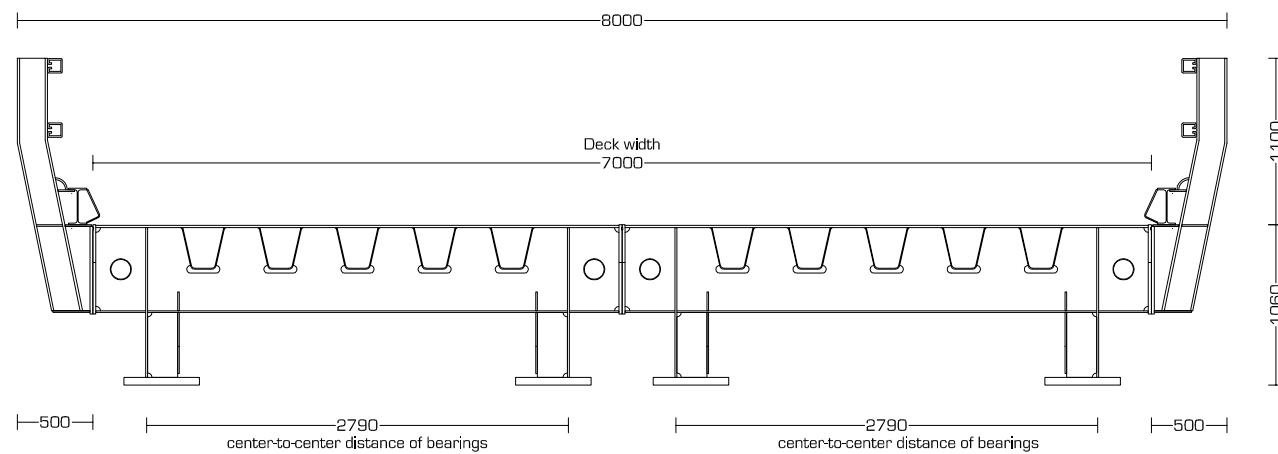


Top view **JSB 300 series - 7,00m** Deck width

[1-100]




3D



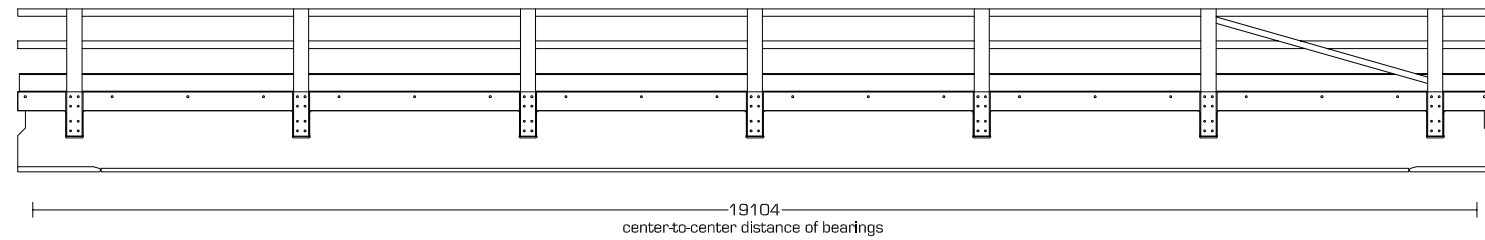
Cross view **JSB 300 series - 1,06m** Construction height

[1-50]

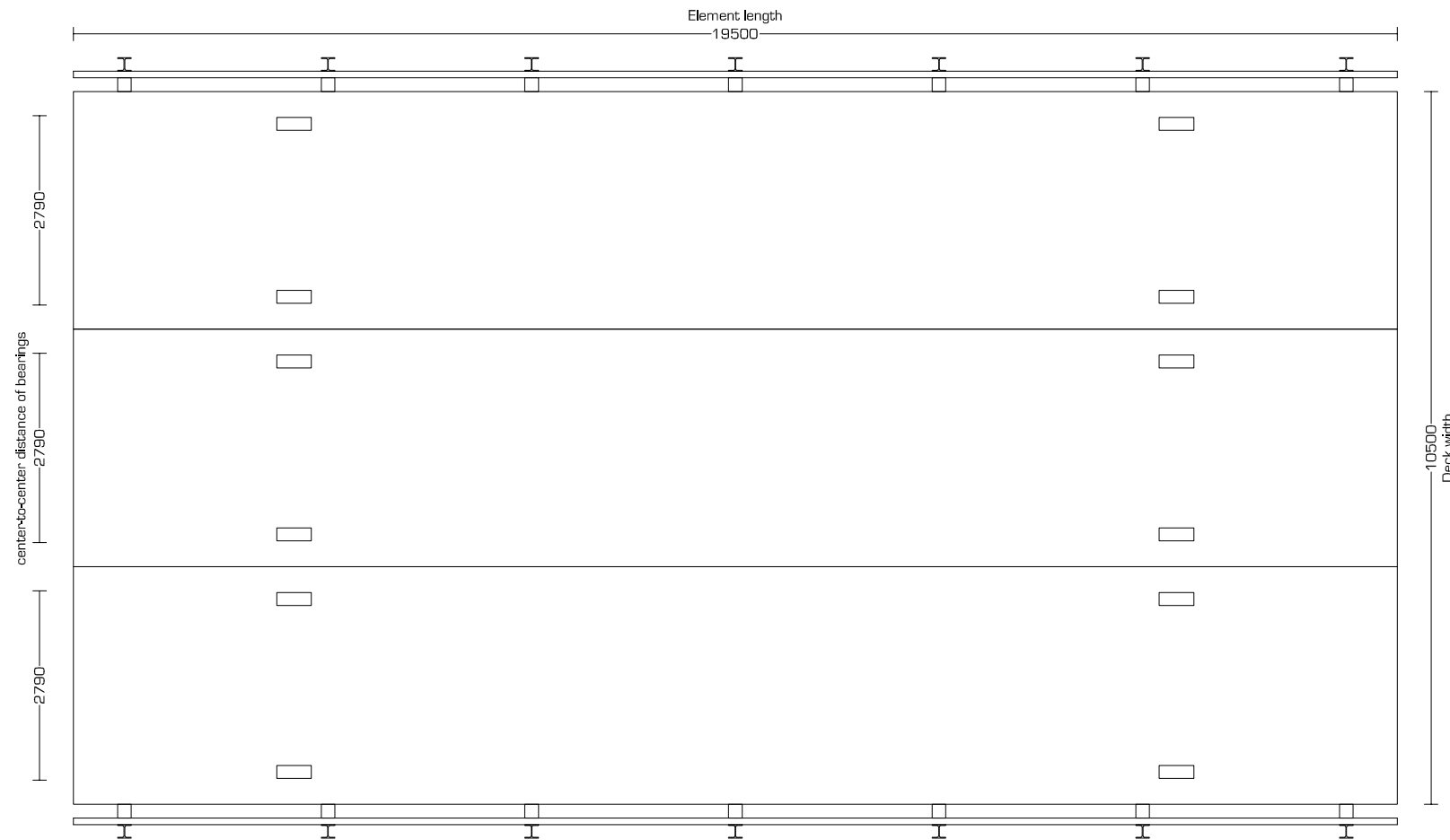
- Element length: 19.500 mm
- Deck width: 7.000 mm
- Construction height: 1.060 mm
- Dead load: 62,0 t
- Load class: EuroCode
- Deck surface: Epoxy resin embedded with aggregate

EXAMPLE DRAWING			
 JANSONBRIDGING COME ACROSS		www.jansonbridging.com	
JSB 300 series - 19,50m x 7,00m			
Scale	1-100 1-50	Date	2011-09-15
Author		Checked	sc

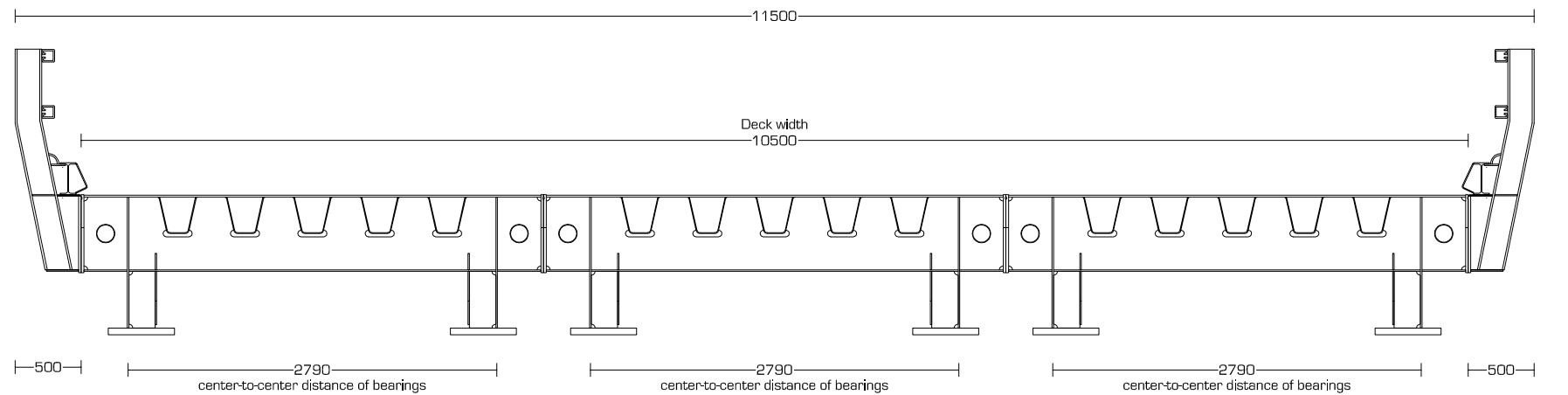
Janson Plate Girder Bridges JSB 300 series



Side view **JSB 300 series - 19,50m** Free span [1-100]



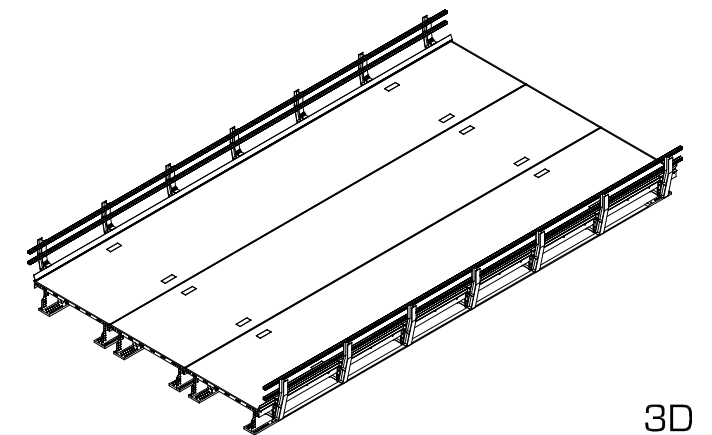
Top view **JSB 300 series - 10,50m** Deck width [1-100]



Cross view **JSB 300 series - 1,06m** Construction height [1-50]




Example



3D

- Element length: 19.500 mm
- Deck width: 10.500 mm
- Construction height: 1.060 mm
- Dead load: 90,2 t
- Load class: EuroCode
- Deck surface: Epoxy resin embedded with aggregate

EXAMPLE DRAWING			
		JANSONBRIDGING <small>COME ACROSS</small>	
www.jansonbridging.com			
JSB 300 series - 19,50m x 10,50m			
1-100	1-50	2011-09-15	sc